

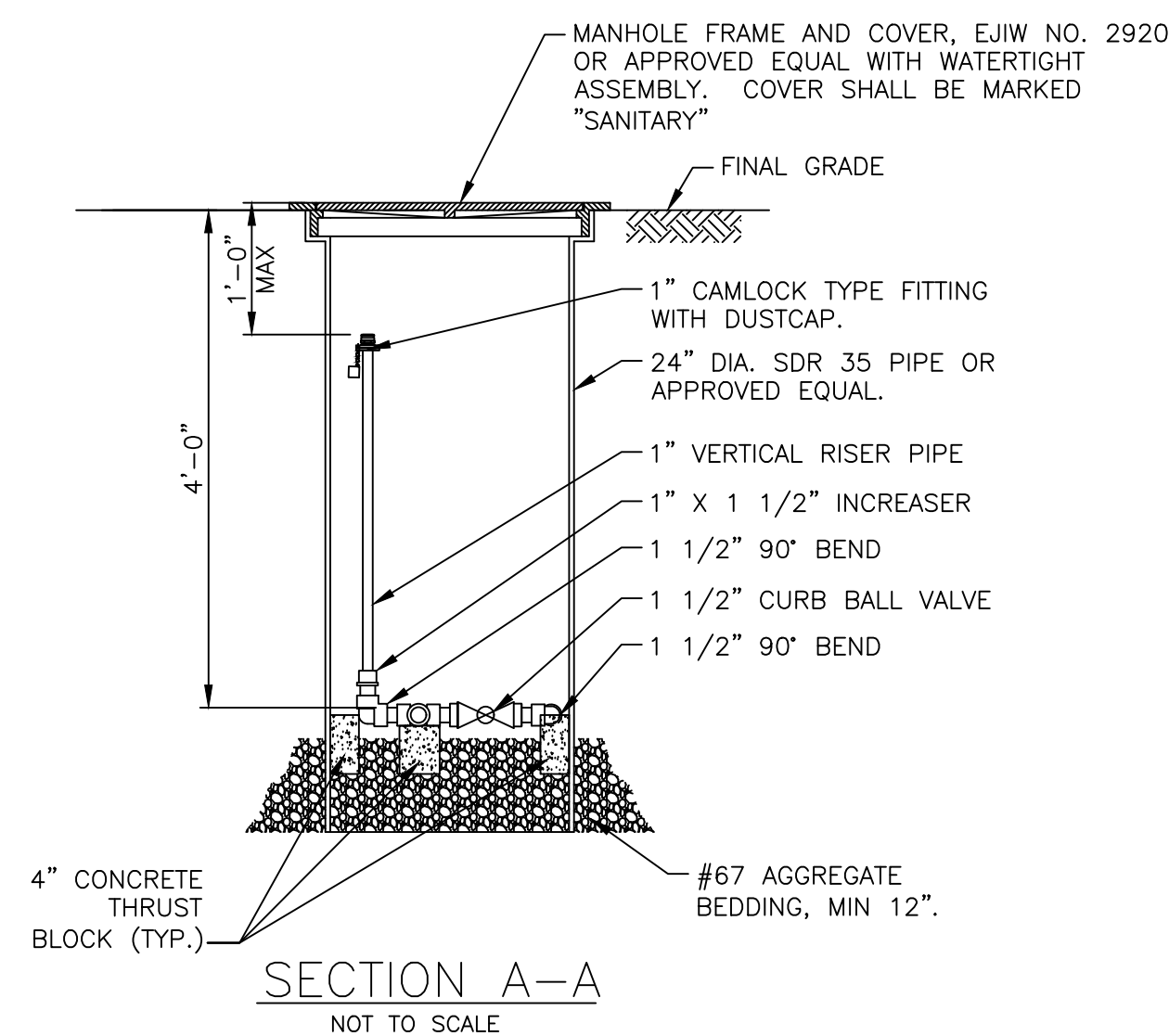
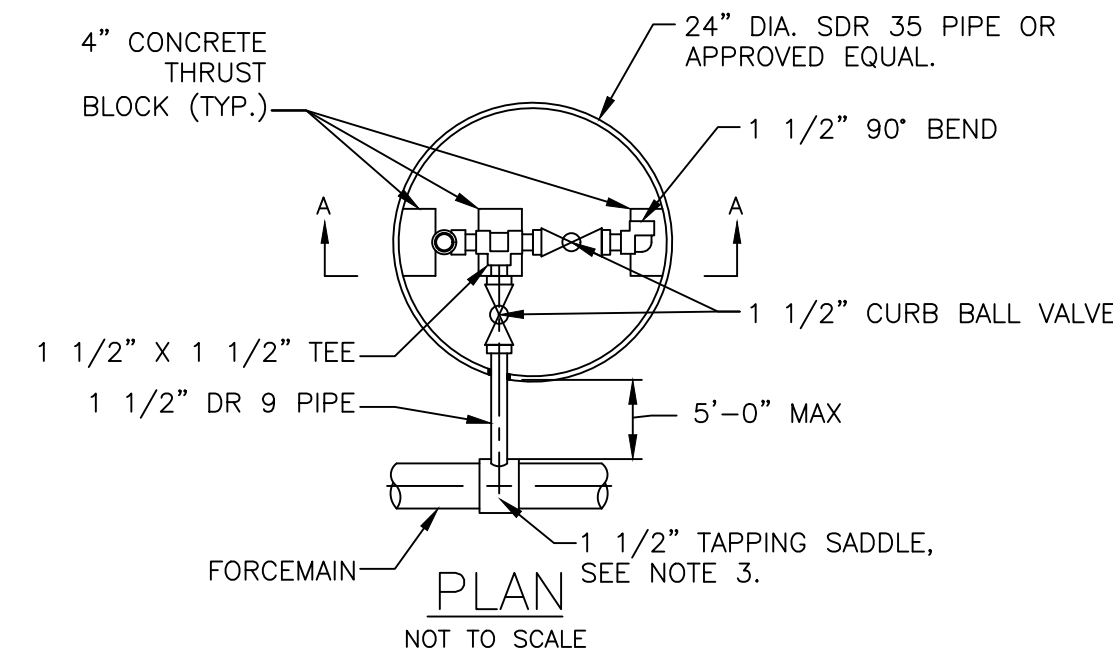
GREASE INTERCEPTOR DETAIL
NOT TO SCALE

NOTES:

- GREASE INTERCEPTORS SHALL BE REQUIRED AT FACILITIES SPECIFIED BY CHAPTER 10 OF THE OHIO PLUMBING CODE.
- GREASE INTERCEPTORS SHALL BE DESIGNED AND SIZED IN ACCORDANCE WITH THE REQUIREMENTS OF CHAPTER 10 OF THE OHIO PLUMBING CODE AND THE PLUMBING AND DRAINAGE INSTITUTE (PDI) G101.
- ONLY FLOWS CONTAINING GREASE GENERATION SHALL BE ROUTED THROUGH THE GREASE INTERCEPTOR.
- PRECAST CONCRETE STRUCTURES SHALL UTILIZE 5000 PSI CONCRETE AND GRADE 60 REINFORCING STEEL. ALL CONCRETE COMPONENTS SHALL BE CAST INCLUDING XYPEX C-500 ADMIXTURE OR APPROVED EQUAL.

CAPACITY OF GREASE INTERCEPTORS FROM PDI G101 AND ASME A112.14.3	
TOTAL FLOW-THROUGH RATING (GPM)	GREASE RETENTION CAPACITY (POUNDS)
4	8
6	12
7	14
9	18
10	20
12	24
14	28
15	30
18	36
20	40
25	50
35	70
50	100
75	150
100	200

* FOR TOTAL FLOW-THROUGH RATINGS GREATER THAN 100 GPM, DOUBLE THE FLOW-THROUGH RATING TO DETERMINE THE GREASE RETENTION CAPACITY IN POUNDS.



SANITARY SEWER FORCEMAIN FLUSHING CONNECTION DETAIL

NOTES:

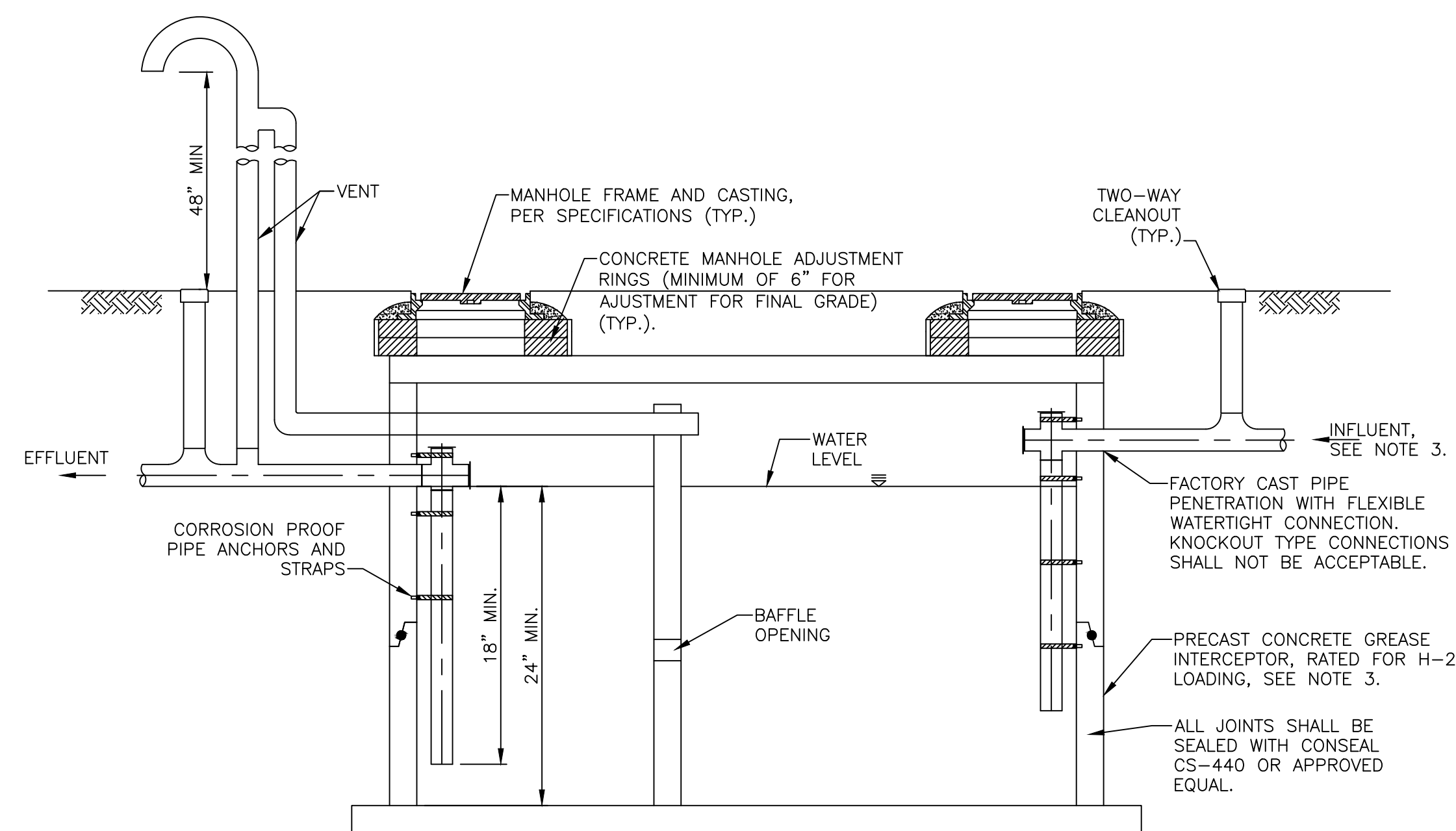
- ALL PERMANENT FITTINGS AND CONNECTIONS SHALL BE COMPRESSION STYLE FITTINGS UNLESS NOTED OTHERWISE.
- BALL CURB VALVES SHALL BE BRASS VALVES.
- IF CONNECTION FOR THE FLUSHING CONNECTION IS NOT MADE PRIOR TO THE TIME THE FORCEMAIN IS STARTED UP, THE CONTRACTOR SHALL PROVIDE A STAINLESS STEEL TAPPING SADDLE AND VALVE AT THE CONNECTION. FOR HDPE PIPE FORCEMAIN, BELLEVILLE TYPE SPRING WASHERS SHALL BE USED.

FITTING TYPE	RESTRAINED LENGTH OF PIPE (FT) SEE NOTE 1					COMMENTS
	4"	6"	8"	10"	12"	
HORIZONTAL						
11 1/4" BEND	2'	2'	2'	2'	4'	4'
22 1/2" BEND	2'	4'	4'	4'	6'	6'
45° BEND	4'	6'	8'	8'	10'	14'
90° BEND	10'	14'	16'	20'	24'	30'
REDUCER						
DEAD END / PLUG	26'	36'	46'	56'	68'	88'
MAIN X 4"	-	-	18'	34'	-	-
MAIN X 6"	-	-	-	20'	36'	-
MAIN X 8"	-	-	-	-	20'	36'
MAIN X 10"	-	-	-	-	-	20'
MAIN X 12"	-	-	-	-	-	38'
TEES						
MAIN X 4" TEE	14'	10'	4'	2'	2'	2'
MAIN X 6" TEE	28'	26'	22'	18'	14'	8'
MAIN X 8" TEE	42'	38'	36'	34'	30'	26'
MAIN X 10" TEE	52'	50'	48'	46'	44'	40'
MAIN X 12" TEE	64'	62'	60'	58'	56'	54'
MAIN X 16" TEE	84'	84'	82'	80'	80'	76'
VERTICAL BEND (L1)	16'	22'	28'	34'	40'	50'
VERTICAL BEND (L2)	4'	6'	8'	8'	8'	12'

JOINT RESTRAINT NOTES:

- RESTRAINED LENGTH BASED UPON TEST PRESSURE OF 150 PSI, SAFETY FACTOR OF 1.5 AND CLAY (CL) SOIL TYPE. OTHER SOIL TYPES MAY REQUIRE DIFFERENT RESTRAINED LENGTHS.
- RESTRAINED LENGTH FOR REDUCERS SHALL BE MEASURED ALONG LARGER DIAMETER PIPE.
- RESTRAINED LENGTH FOR TEES SHALL BE MEASURED ALONG BRANCH CONNECTION.
- ALL JOINTS BETWEEN UPPER AND LOWER PIPE LENGTH SHALL BE RESTRAINED FOR VERTICAL BENDS.

MECHANICAL JOINT RESTRAINTS

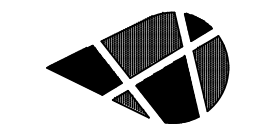


OIL SEPARATOR DETAIL
NOT TO SCALE

NOTES:

- OIL SEPARATORS SHALL BE REQUIRED AT FACILITIES SPECIFIED BY CHAPTER 10 OF THE OHIO PLUMBING CODE.
- OIL SEPARATORS SHALL BE DESIGNED AND SIZED IN ACCORDANCE WITH THE REQUIREMENTS OF CHAPTER 10 OF THE OHIO PLUMBING CODE.
- PRECAST CONCRETE STRUCTURES SHALL UTILIZE 5000 PSI CONCRETE AND GRADE 60 REINFORCING STEEL. ALL CONCRETE COMPONENTS SHALL BE CAST INCLUDING XYPEX C-500 ADMIXTURE OR APPROVED EQUAL.

Disclaimer: The content of this document is intended for illustrative purposes only and is not complete. The Northwestern Water and Sewer District expressly disclaims any and all liability for any and all reliance thereon. All uses, other than personally, are strictly prohibited.



DRAWN BY:	CHECKED BY:
#	#
DATE	REVISION
02/20/22	TB
02/27/22	TB
02/27/22	MD
	MECHANICAL JOINT RESTRAINTS

